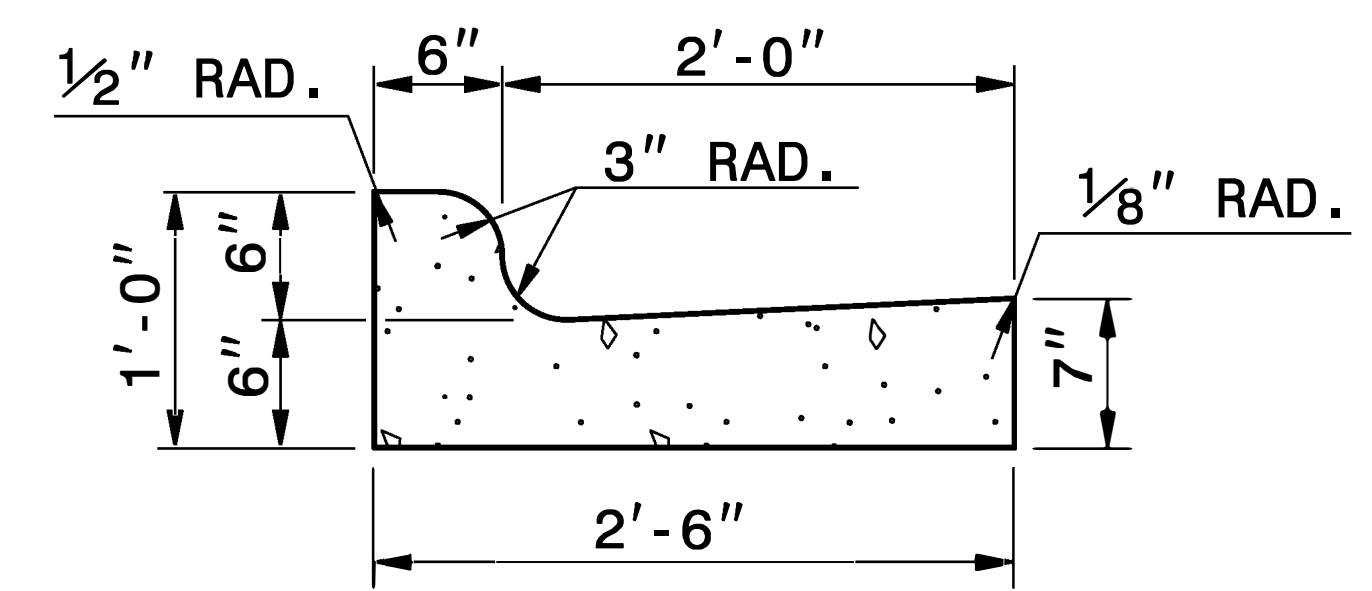
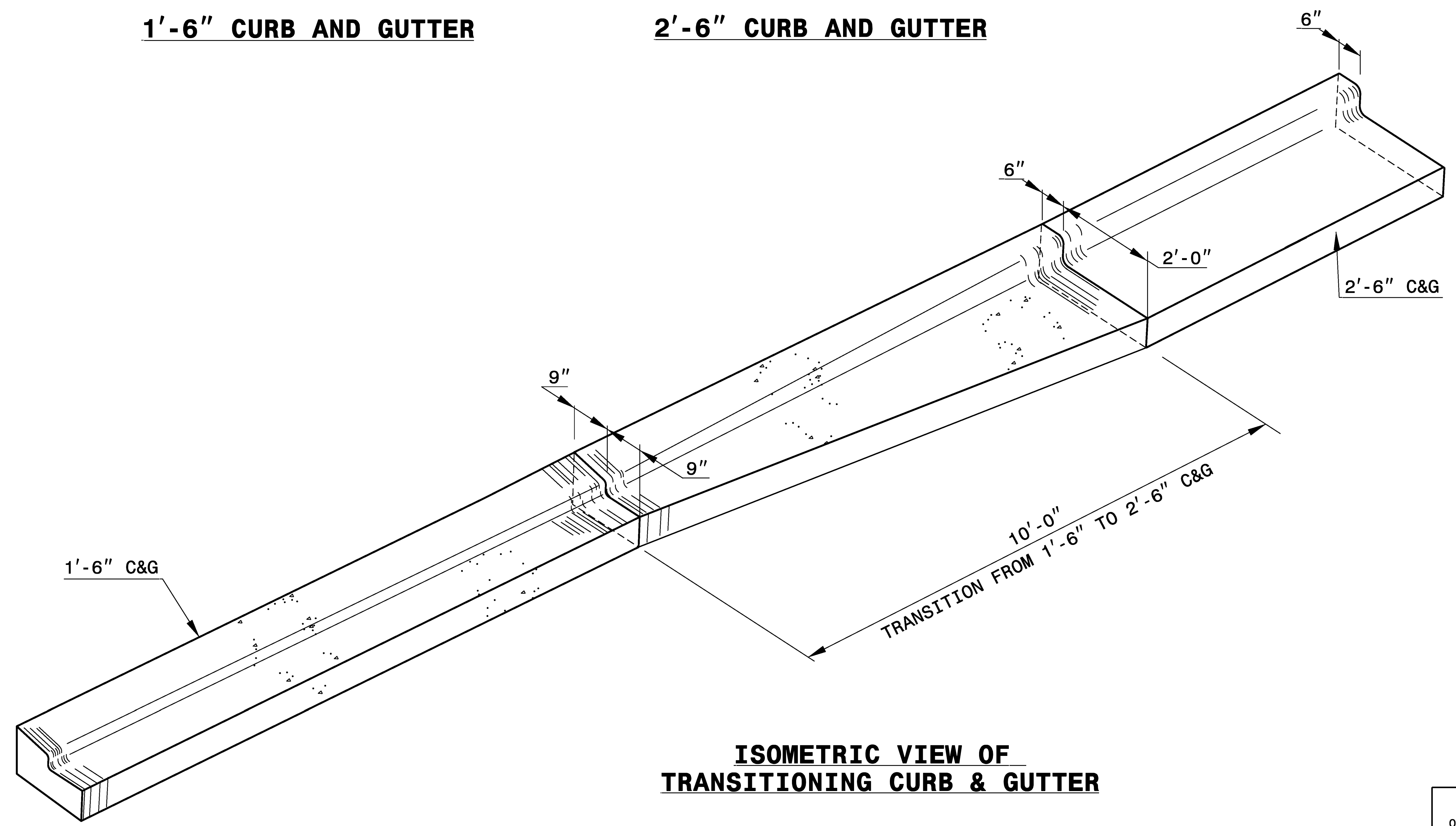


**1'-6" CURB AND GUTTER**

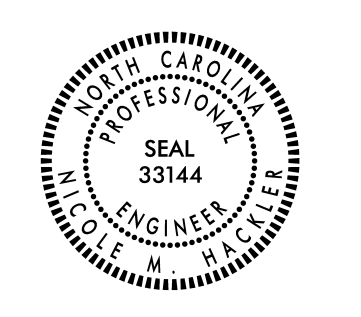


**2'-6" CURB AND GUTTER**

NOTE: SEE STD. DWG. 846.01 FOR ADDITIONAL CURB AND GUTTER INFORMATION.  
SEE ROADWAY PLANS FOR LOCATION OF CURB TRANSITION.



**ISOMETRIC VIEW OF  
TRANSITIONING CURB & GUTTER**



DOCUMENT NOT CONSIDERED FINAL  
UNLESS ALL SIGNATURES COMPLETED

**CONTRACT STANDARDS AND  
DEVELOPMENT UNIT**  
Office 919-707-6950 FAX 919-250-4119

**DETAIL OF 1'-6\"/>**

ORIGINAL BY: T.S. SPELL DATE: MARCH 3, 2000  
 MODIFIED BY: DATE:  
 CHECKED BY: DATE:  
 FILE SPEC.: DS174:/usr/details/stand/cgtransit.dgn

5/14/99